



## YTZ7S

6Ah | 12V | 120A

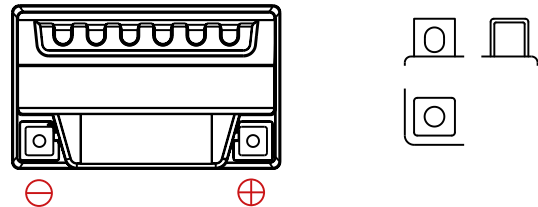
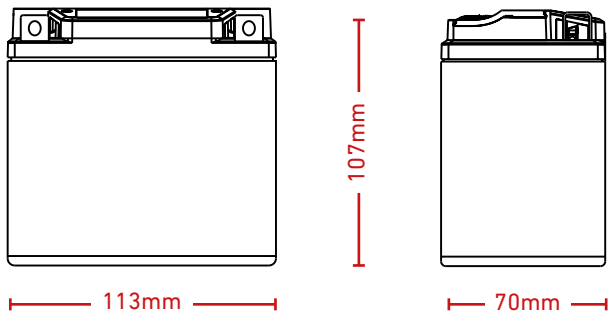
### Electrical Specifications

Nominal voltage	12V
Nominal capacity (25°C)	6Ah at 10h
CCA -18°C	120A

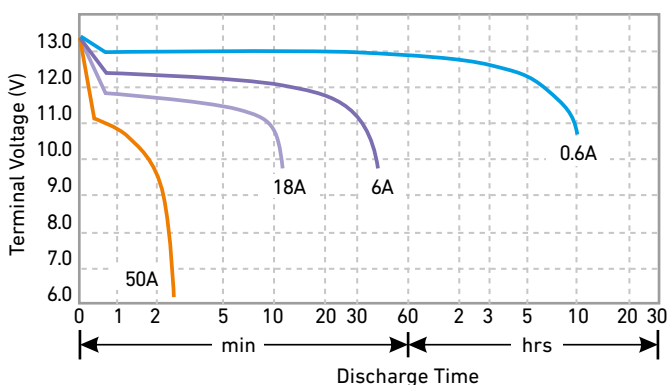
Retention of Charge During Storage at 25°C		
1 month	97%	Directly mounted
3 months	90%	Directly mounted
6 months	80%	Constant voltage: 14.4V Limit current: 1.2A Charging time: 2 - 3h
12 months	40%	Constant voltage: 14.4V Limit current: 1.2A Charging time: 4 - 6h

### Mechanical Specifications

Measurements (L x W x H)	113 x 70 x 107mm
Weight	2.02kg
Storage status	Wet
Cover	ABS
Terminal	C8
Container bottom	ABS
Positive plate	PbO <sub>2</sub>
Negative plate	Pb
Separator	AGM
Electrolyte	Diluted sulphuric acid
Safety valve	Rubber
Way of sealing	Epoxy resin



### Discharge Current 25°C



### Residual Capacity

