

DC 150

GEL DEEP CYCLE
12V | 150Ah | 100h



Electrical Specifications

Nominal voltage	12V
Capacity (25°C)	120Ah @ C ₁₀ (12A)
Internal resistance (25°C)	3.6mΩ
Temperature Effect on Capacity	104% at 40°C 100% at 25°C 83% at 0°C 65% at -15°C
Residual capacity after storage (25°C)	3 months: 91% 6 months: 82% 12 months: 65%
Constant charging voltage Cycle (25°C)	14.5 to 14.9V (initial charging current < 36A)
Constant charging voltage Float (25°C)	13.6 to 13.8V

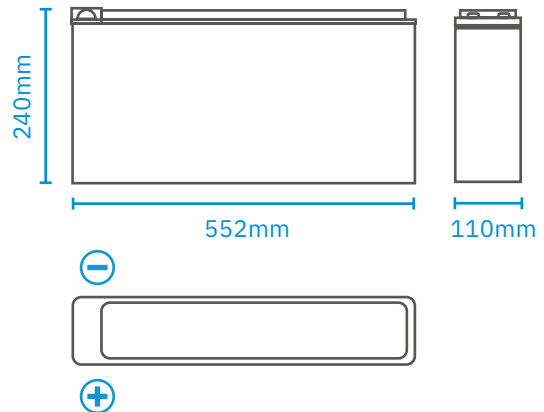
Discharge Specifications

Capacity C ₁₀₀	150Ah
Capacity C ₂₀	135Ah
Capacity C ₁₀	120Ah
Capacity C ₅	108Ah
Capacity C ₃	94Ah
Discharge Current Testing (25°C)	1 hours rate (66A): 69Ah 3 hours rate (30A): 94Ah

Mechanical Specifications

Measurements (L × W × H)	552 × 110 × 240 mm
Approx. Weight	36.6kg
Terminal Type	T2

Measurements



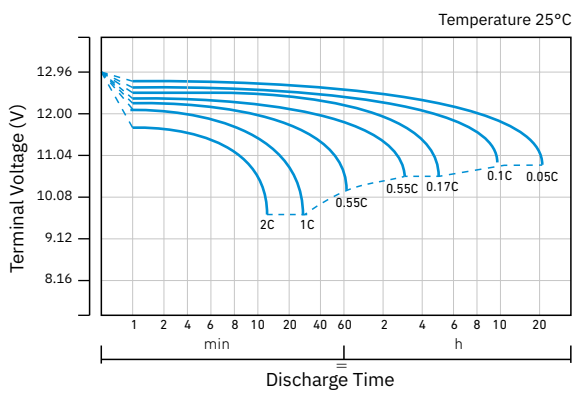
Constant Current Discharge Characteristics (A) 25°C

F.V. / Time	10 min	15 min	30 min	60 min	2 h	3 h	5 h	8 h	10 h	20 h
9.60V	247.5	207.9	128.7	77.2	43.4	30.7	21.7	14.4	12.2	6.3
10.2V	235.6	200.0	123.8	74.2	42.8	30.2	21.4	14.3	12.1	6.2
10.5V	228.7	195.0	120.8	72.6	42.4	29.9	21.2	14.2	12.0	6.2
10.8V	221.8	190.1	117.8	70.5	41.9	29.6	21.0	14.1	12.0	6.1

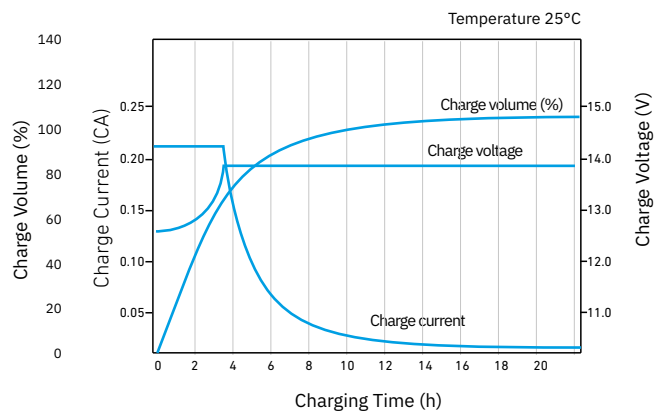
Constant Power Discharge Characteristics 25°C

F.V. / Time	10 min	15 min	30 min	60 min	2 h	3 h	5 h	8 h	10 h	20 h
9.60V	2673.0	2282.9	1444.4	880.1	501.9	361.4	358.4	171.3	143.6	76.2
10.2V	2544.3	2195.8	1389.0	845.5	495.0	355.4	252.5	170.3	142.6	75.4
10.5V	2469.1	2141.4	1354.3	826.7	490.1	351.5	249.5	169.3	141.6	74.0
10.8V	2394.8	2086.9	1321.7	803.9	484.1	348.5	248.5	166.3	141.2	73.7

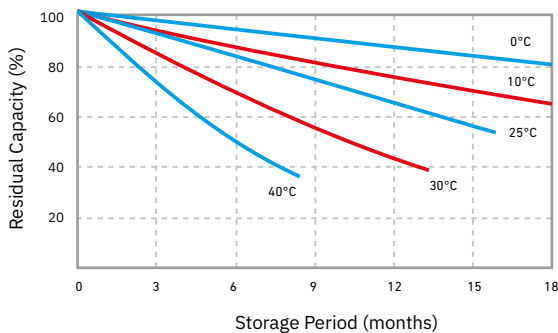
Discharge Characteristics Curve



Charge Characteristics Curve For Cycle Use (IU)



Residual Capacity



Float Life

