



MSP 100 S Solar Module

100W | 36,19V | Monocrystalline



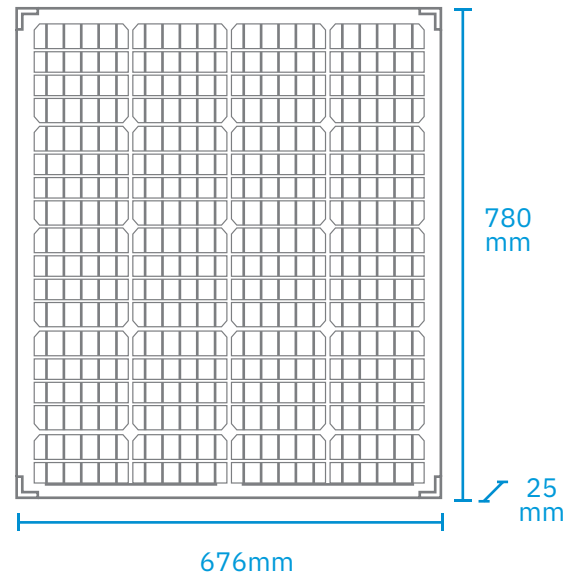
Electrical Specifications

Rated power	100W
Rated voltage (U _{mpp})	36,17V
Rated current (I _{mpp})	2,77A
Open-circuit voltage (U _{oC})	43,29V
Short-circuit current (I _{sc})	3,01A
Efficiency	18,97%

Technical Specifications

Temperature range	- 40°C to + 85°C
Solar cells	Monocrystalline
Number of cells	72
Dimensions	676 × 780 × 25mm
Weight	5,6kg
Junction box	IP65 rated
Glass (front)	Hardened safety glass
Frame	Stable, hollow-section aluminium frame
Cable length	790mm
Connectors	MC4

Dimensions



Warranty*



*80% of rated power: 5 years, 70% of rated power: 15 years

The perfect solar charge controller for your project

Charge your batteries efficiently, gently and quickly with an ECTIVE solar charge controller. Use this overview to find out which controller best suits your project, depending on how many solar panels you intend to use:

ECTIVE.DE

1 panel



DSC 12

2 panels



SC 20

3 panels



DSC 25

4 panels



SC 40